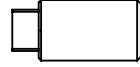
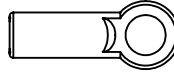
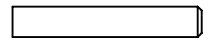
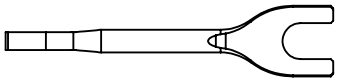
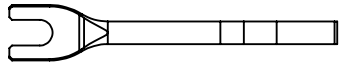
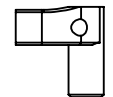
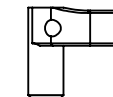
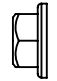
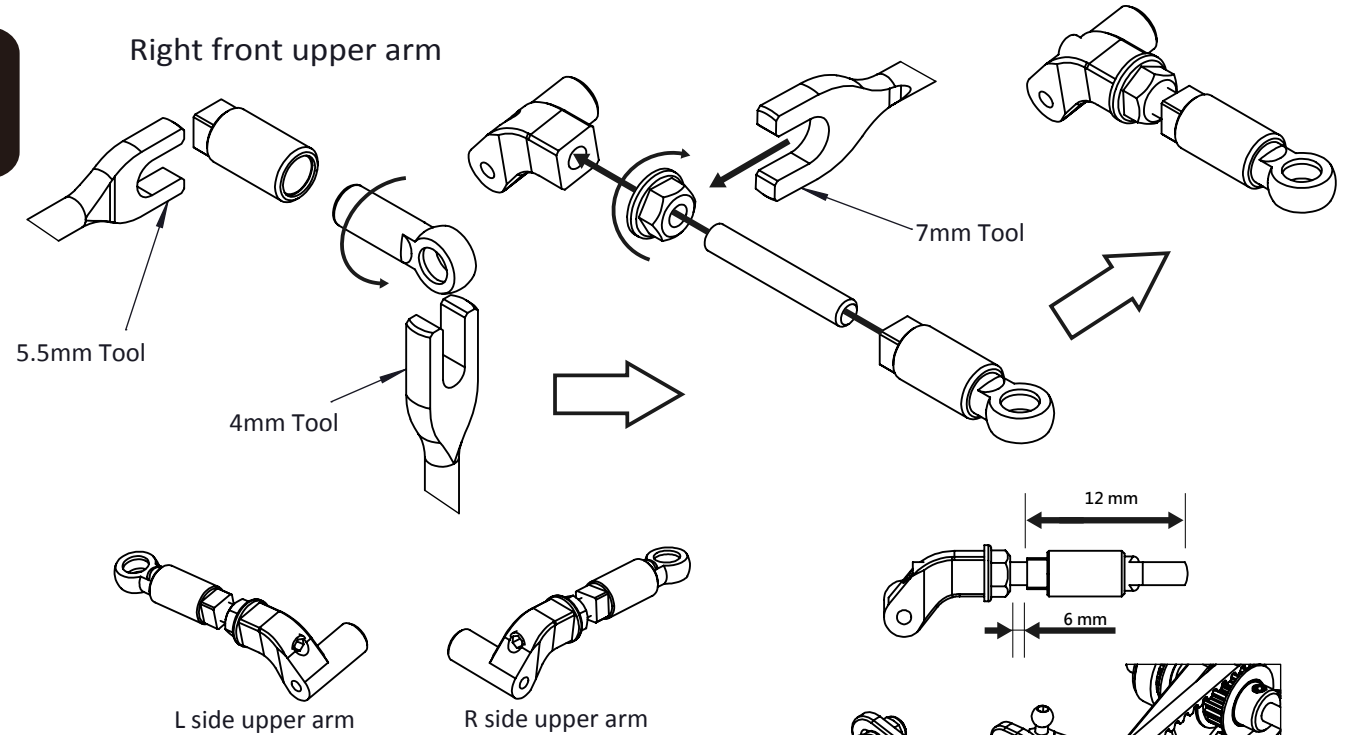


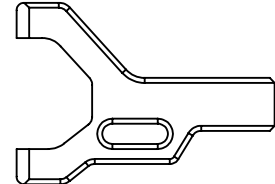
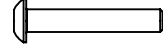
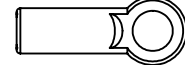


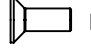

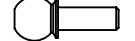
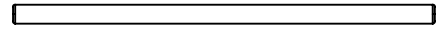
**BAG
M**

-  Front upper arm holder --X 2
-  Ball end L --X 2
-  M4x25mm set screw --X 2
-  Turnbuckle wrench 7mm 5.5mm
-  Turnbuckle wrench 4mm 5mm
-  Front upper arm R --X 1
-  Front upper arm L --X 1
-  M4 locknut black --X 2

Right front upper arm



**BAG
N**

-  Front arm --X 2
-  M3x18mm buttonhead --X 2
-  Ball end L --X 2
-  Front sus mount F --X 1
-  Hinge pin ball 4mm --X 4
-  M3x8mm_flathead --X 2
-  M2.5x6x1mm shim --X 6
-  5.8mm Pivot ball bolt type L --X 2
-  Sus arm pin --X 2

**Left lower arm
(Right side same)**

