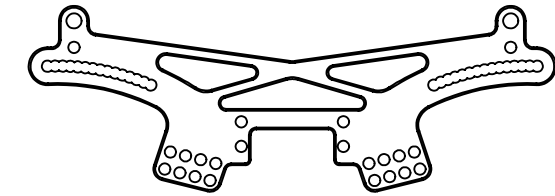


5.8mm Pivot ball bolt type L --X 2

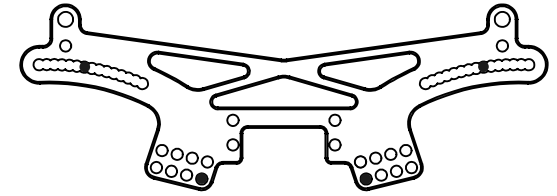
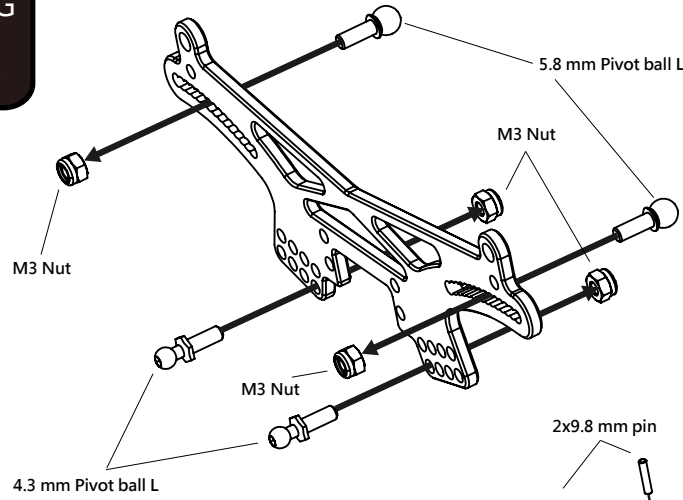
M3\_locknut\_black --X 4

4.3 mm pivot ball long --X 2

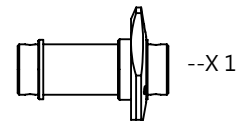
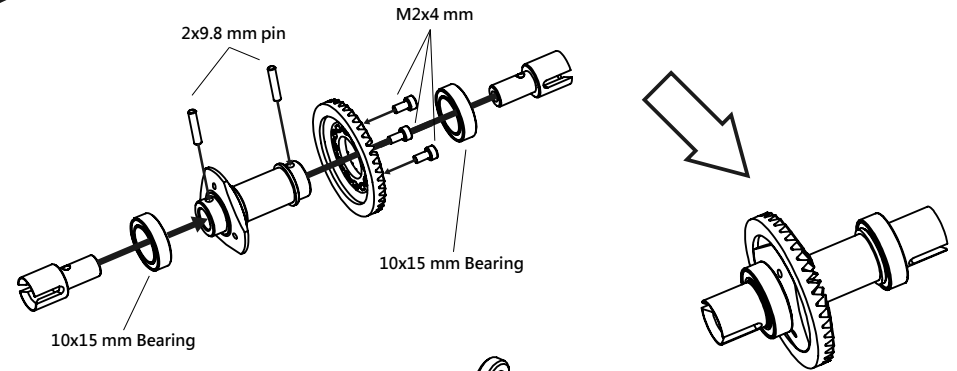


Rear shock tower --X 1

**BAG  
K**



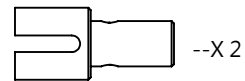
Note: Install position



diff spool shaft --X 1

2x9.8mm pin --X 2

M2x4mm cap head --X 3

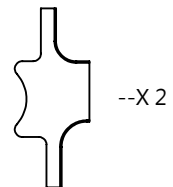


oneway drive cup --X 2

M3x6mm buttonhead --X 4

M3x8mm buttonhead --X 4

10x15x4mm bearing --X 2



Rear bulkhead cap --X 2

40T Ring gear --X 1

**BAG  
L**

